

Instruction Manual

High Lift Pallet Truck HB 1056 M



Capacity: 1000kg

Note: Owner/Operator must read and understand this instruction manual before operating the truck.

Specifications:

Model	HB1056M
Rated capacity	1000 kgs
Lifting height	800 mm
Height of lowerd fork	85 ±2 mm
Width across fork	560 mm
Fork length	1190 mm
Steer wheel	Ø180×55mm
Front load roller	Ø75×75mm
Pump times	Quick: 28/Slow: 62
Descending speed	∠0.1 mm/second
N.W.	128kgs

Note:

Two speeds (quick and slow) can be automatically changed while load is more than 150kgs.

Safety Instructions

1. The truck shall be used in accordance with the instruction manual.
2. Don't put hand & foot underneath the fork at any time.
3. Don't work on a slope surface.
4. Quick lifting is prohibited for load of more than 150kgs. Any manipulation of the pressure relief valve is strictly prohibited. All assembling, adjusting and maintenance shall only be performed by qualified people.
5. Load should be put on the fork center. Side-load is strictly prohibited.
6. The truck shall not be used to transport persons.
7. It is recommended for the driver to wear security shoes.
8. No modifications shall be carried out which adversely affect the compliance of the truck with prEN 1757-4.

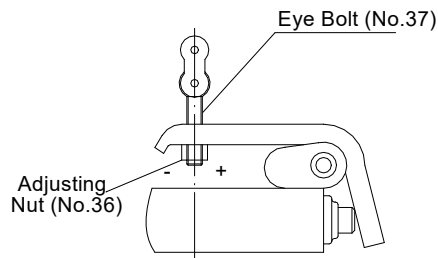
Installation & Adjustment

1. Screw (Part No.132)

To prevent oil-leaking from oil tank during transportation, Air Screw (Part No.132) is replaced by Oil-sealing Screw in factory. But it has to be replaced back when you put this truck into use.

How to change: Take off Oil-sealing Screw, then screw Air Screw in, thus keep oil tank always connecting with atmosphere.

See Picture 2.



Picture 2

Problems	Turning direction of Lock Nut
Fork not lifted up	-(clockwise)
Fork not lowering down	+(Counter-Clockwise)

2. Handle

During transportation, the handle is disassembled from the truck and packed separately. It has to be assembled back and adjusted properly and carefully before use.

A. Handle installation

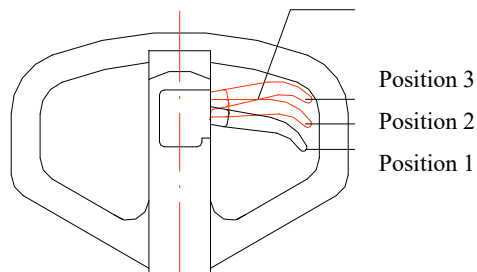
Take off screw (33) & pin (32).

Assemble the handle on the Handle Base with 2 pieces of screw (33) & pin (32).

Press the handle, and take off the hooked plate (60).

B. Handle adjustment

There are 3 different positions with different functions for the Release Lever (Part No. 49).



Picture 1

Position 1: Lifting for fork

Position 2: Neutral for fork

Position 3: Descending for fork

Test different functions by putting the Release Lever in 3 different positions respectively. If it does not function properly, then adjusting Lock Nut (No.36) by following process.

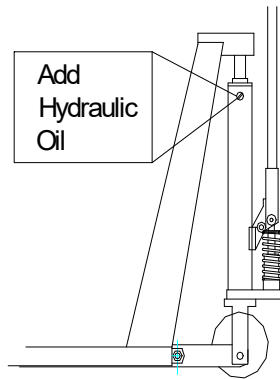
Problems

Problem solving

Items	Symptom	Possible cause	Aliments
1	Fork can not be pumped up	1. Low oil level in oil tank. 2. Exist air in the hydraulic system. 3. Pendulum arm nut is not adjusted properly.	1. Add proper hydraulic oil. 2. Fast operating the handle for several times. Bleed the system. 3. Adjust pendulum arm screw. (See Picture 2)
2	Fork can't be released down	1. Fork blocked. 2. Pendulum arm nut not adjusted properly.	1. Check and remove the block. 2. Adjust pendulum arm nut properly. (See Picture 2)
3	Fork can't be pumped up to rated highest position.	Oil is not enough.	Add hydraulic oil. (See Picture 3)

3.How to release the air from the pump.

See picture 3.



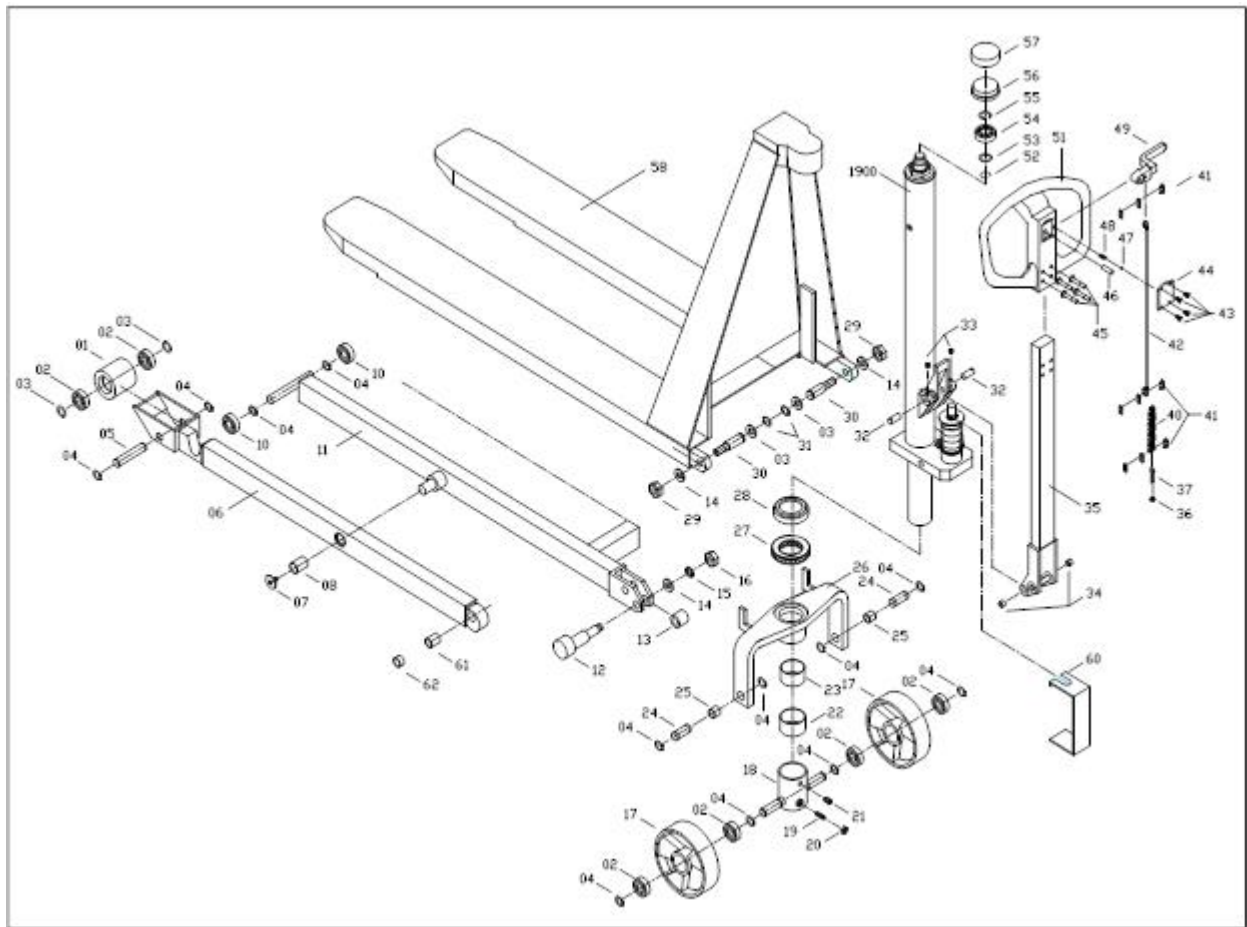
Picture 3

When pushing the handle down, the fork can't be lifted instantly. Please loosen the Screw (No.130) on the pump while pushing the handle down slowly to release the air from the pump. Then tighten the screw.

4. When to add oil

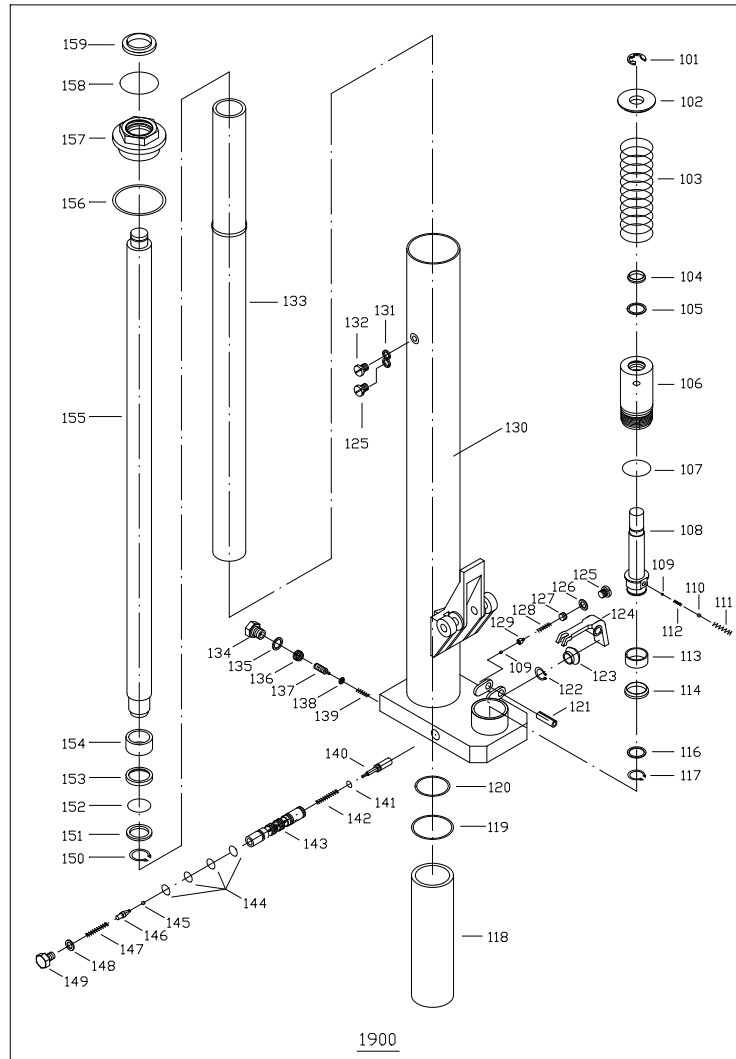
See Picture 3.

If the fork can't be pumped up to its rated highest position, you may have to add hydraulic oil into the oil tank. The hydraulic fluid to be used must have a quality of ISO VG22 or equivalence. Mixing of different fluids is prohibited!



Item No.	Description	Remark
01	Front wheels	2
02	Press Rent	8
03	Skies	6
04	Ring welding	16
05	Stift	2
06	Ben	2
07	Screw	2
08	Skies	2
09	Skies	2
10	Press Rent	4
11	Ben	1
12	Centrifugal shaft	2
13	Bosnia	2
14	Skies	4
15	Bosnia	2
16	Engine	2
17	Steer wheels	2
18	Wheel axle	1
19	Screw	2
20	Engine	2

21	Screw	3
22	Distance disc	1
23	Bosnia	1
24	Stift	2
25	Bosnia	2
26	Console	1
27	Press Rent	1
28	Distance disc	1
29	Engine	2
30	Stift	2
31	Laser	2
32	Stift	2
33	Screw	2
34	Bosnia	2
35	Steering rod	1
36	Engine	1
37	Bolt	1
40	Kade	1
41	Ancients	3
42	Releasing rod	1
43	Screw	6
44	Covers	1
45	Stift	6
46	Stift	1
Item No.	Description	Remark
47	Ball	1
48	Springs	1
49	Release	1
51	Grab	1
52	Ring welding	1
53	Skies	1
54	Press Rent	1
55	Ring welding	1
56	Distance disc	1
57	Distance disc	1
58	Forks	1
60	Covers	1
61	Distance disc	2
62	Distance disc	2



Item No.	Description	Remark
101	Ring welding	1
102	Father said	1
103	Springs	1
104	Contact	1
105	O-ring	1
106	Pumps	1
107	O-ring	1
108	Pump Stamps	1
109	Ball	2
110	Ball	1
111	Springs	1
112	Springs	1
113	Bronzer	1
114	Laser	1
116	Skies	1
117	Laser	1
118	Cylinder	1
119	O-ring	1
120	O-ring	1

121	Stift	1
122	Laser	1
123	Rubber cleaning	1
124	Pendulbosning	1
125	Screw	2
126	O-ring	1
127	Screw	1
Item No.	Description	Remark
128	Springs	1
129	Stalball	1
130	Pumphouse	1
131	O-ring	1
132	Screw	1
133	Cylinder	1
134	Screw	1
135	Ring welding	1
136	Screw	1
137	Screw	1
138	Plate	1
139	Springs	1
140	Reader Indicator	1
141	O-ring	1
142	Springs	1
143	Valve Set	1
144	O-ring	4
145	Ball	1
146	Release valve	1
147	Springs	1
148	Laser	1
149	Screw	1
150	Laser	1
151	Skies	1
152	O-ring	1
153	Holding	1
154	Stamp ring	1
155	Stamping bar	1
156	Laser	1
157	Cylinder Motor	1
158	O-ring	1
159	Oiling	1

STILL DANMARK A/S, Essen 1, DK-6000 Kolding

Sales/Admin: 76 31 98 00, Service: 80 81 53 00, Fax: 76 31 98 20, www.still.dk